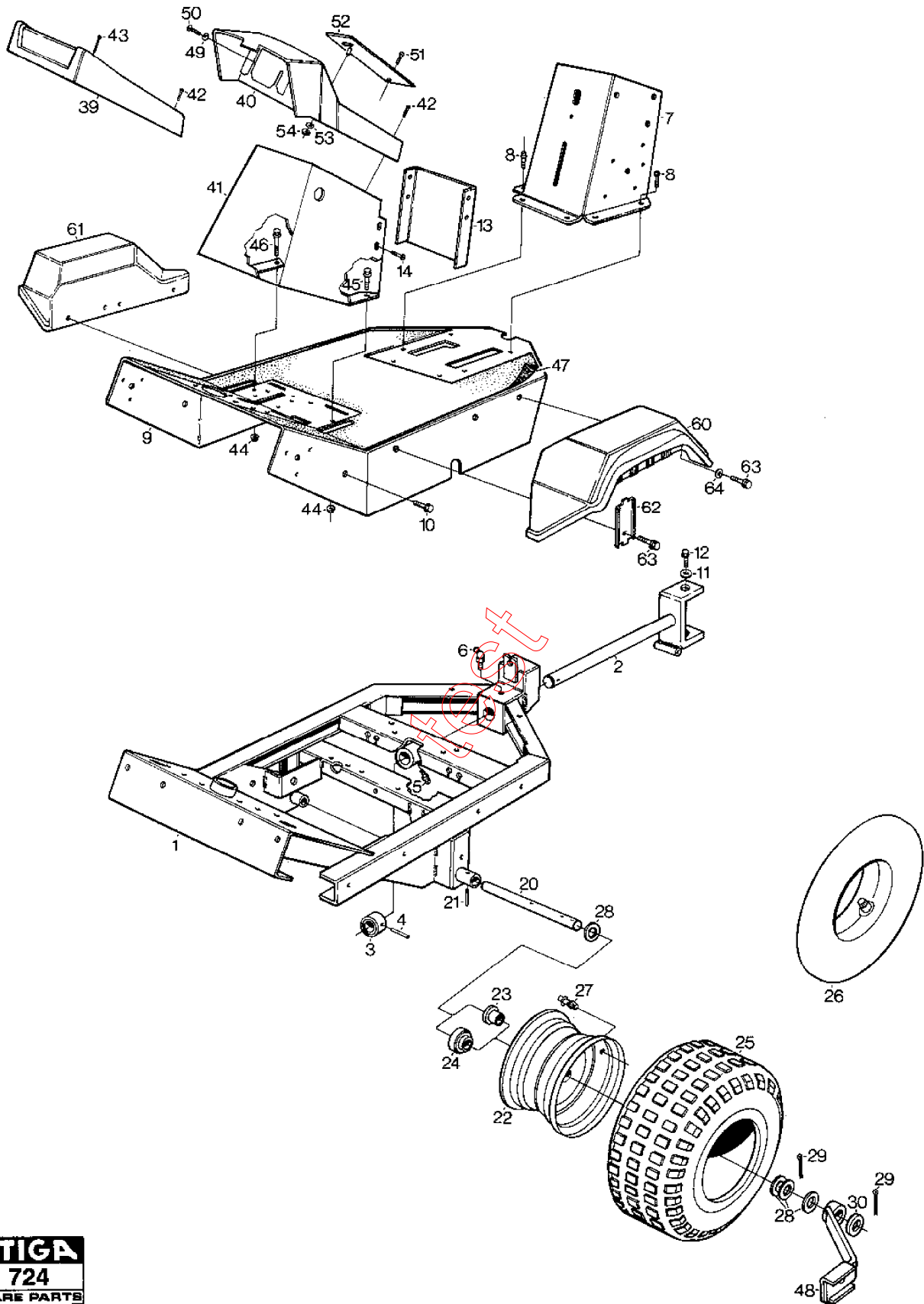


PARK 12

PARK 13HST, 16HST, 18HST



Section: PARK FRONT FRAME

Pos.	Quantity		Spare part No	Description	Kit	Notes	New
	1258	1358	1458	1818			
	1442	1443	1446	1448			
1	1	1	1	1	1134-3411-03	Front frame	
2	1	1	1	1	1134-1757-07	.Clevis	
3	1	1	1	1	1134-0031-00	.Pivot shaft stop	
4	1	1	1	1	9595-0262-00	.Locating pin	
5	1	1	1	1	9501-0500-00	Grease joint	
6	1	1	1	1	9501-0502-00	Grease joint	
7	1	1	1	1	1134-3800-01	Seat bracket-yellow	
8	6	6	6	6	9942-0816-16	Screw	
9	1	1	1	1	1134-1192-22	Floor plate	
10	4	4	4	4	9942-0816-16	Screw	
11	1	1	1	1	9699-0035-02	Flat washer	
12	1	1	1	1	9959-1020-16	Screw	
13			1	1	1134-3363-01	Cover	
14			4	4	9849-8013-16	Screw	
20	2	2	2	2	1134-0075-01	Front axle	
21	2	2	2	2	9595-0258-00	Locating pin	
22	2	2			1134-2668-02	Rim w.bearings	
22			2	2	1134-2888-02	Rim w.ball bearings	
23	1	1			1134-9026-01	.Bearing bush kit	Sats 4 st/kit of 4
24			2	2	9549-0036-00	.Ball bearing	
25	2	2	2	2	9545-0116-00	Tyre	16 x 7.50 - 8
26					9545-0203-00	Inner tube	Reservdel/spare par
27	2	2	2	2	9545-0500-00	Valve	
28	8	8	8	8	1134-0341-01	Washer	
29	4	4	4	4	9599-0080-02	Cotter pin	
30	2	2	2	2	9699-0042-02	Flat washer	
39	1				1134-3370-01	Panel	
40			1	1	1134-3371-05	Panel	
40		1			1134-3761-01	Panel	
41	1	1	1	1	1134-2833-10	Front trim plate	
42	2	1	1	1	9849-8013-16	Screw	
43	2				9849-8032-16	Screw	
44	6	6	6	6	9739-0831-22	Nut	
45	2	2	2	2	9959-0816-16	Screw	L = 16 mm
46	4	4	4	4	9959-0820-16	Screw	L = 20 mm
47		1	1	1	1134-3546-01	Floor mat	
47	1				1134-3535-01	Floor mat	
48	2	2	2	2	1134-3710-01	Tool attachment	
49		2	2	2	9699-0099-02	Washer	
50		2	2	2	9849-8013-16	Screw	
51		1	1	1	9849-8032-16	Screw	
52		1			1134-3755-01	Cover	
52			1	1	1134-3758-01	Cover	
53		1			9699-0062-02	Flat washer	
54		1			9675-0012-02	Locking washer	
60	1	1	1	1	1134-2174-01	Mudguard-L.H.	
61	1	1	1	1	1134-2174-02	Mudguard-R.H.	
62	4	4	4	4	1134-0225-00	Support plate	
63	6	6	6	6	9942-0816-16	Screw	
64	2	2	2	2	9699-0056-02	Flat washer	